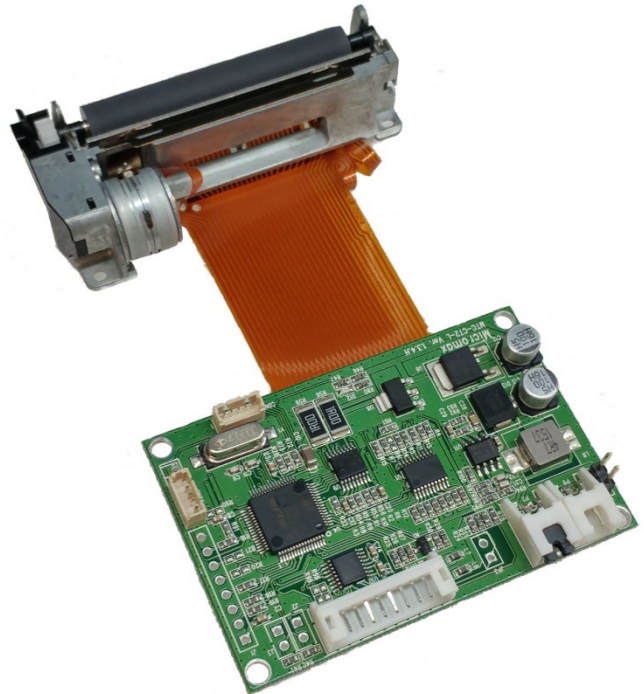


Thermal Printer 212 Series

2M012XX 2-Inches Thermal Printer

Product Features

- 2 Inches Thermal Printer
- Thermal Printing Method
- Dots/line 384 dots/line
- Printing Width (mm) $48 \pm 0.2\text{mm}$
- Paper Width(mm) Max.58mm (3.24inch)
- Paper Thickness 60 to 100 μm
- Easy Paper Loading
- Support Paper Near-end Sensor (Option)
- Support Wide Operating Voltage Range



Product Specification

Printer

- Print Method :Thermal line dot printing
- Printing Speed :Max. 80mm/second
- Number of dots/line:384 dots
- Print Resolution: 8mm (dots/mm)
- Printing Width:48 ± 0.2mm
- Paper Width:Max.58mm(± 0.1mm)
- Printing Thickness: 60 to 100 μ m
- Print Color : Black

Power Supply (V)

- Operating Voltage:12V - 24V
- Printer Head : 4.2V DC to 8.5V
- Stepping Motor : 4.2V to 8.5V (DCV)
- Head Logic : 3V to 5. 25V (DCV)
- Energy Consumption : 0.15mJ/dot
(0.63ms/line, 25°C)
- Power Consumption : 0.24W/dot

Life (Head)

- Electric Life : 100 million pulses
(Under our standard printing conditions.)
- Wear Life : Printing length, 50km
(Under our standard printing condition)
Printing rate 12.5%.

Life

- Platen Opening Closing Life : More than 5000 times (Each open/close action counts as one time.)
- Photo Interpreter Life : 1.2×10⁴hours
(electrified time) with the recommended circuit.

Detection

- TPH Temperature : Thermistor
- Platen Position : Photo Interrupter
- Out Of Paper : Photo Interrupter

Environment

- Operating temperature: 0°C ~ 50°C
(No Condensation)
- Operation Humidity : 20~85%RH
(No Condensation)
- Storage Temperature : -20°C ~ 60°C
(Excluding Paper)
- Storage Humidity : 5 to 90%RH
(No Condensation)

Product Specification

Additional Features

- Paper Near End Option Available

Interface

- RS233
- USB

Fonts

- ISO 8859
- ISO 8859-2
- Traditional Chinese (Big 5)

OS Support

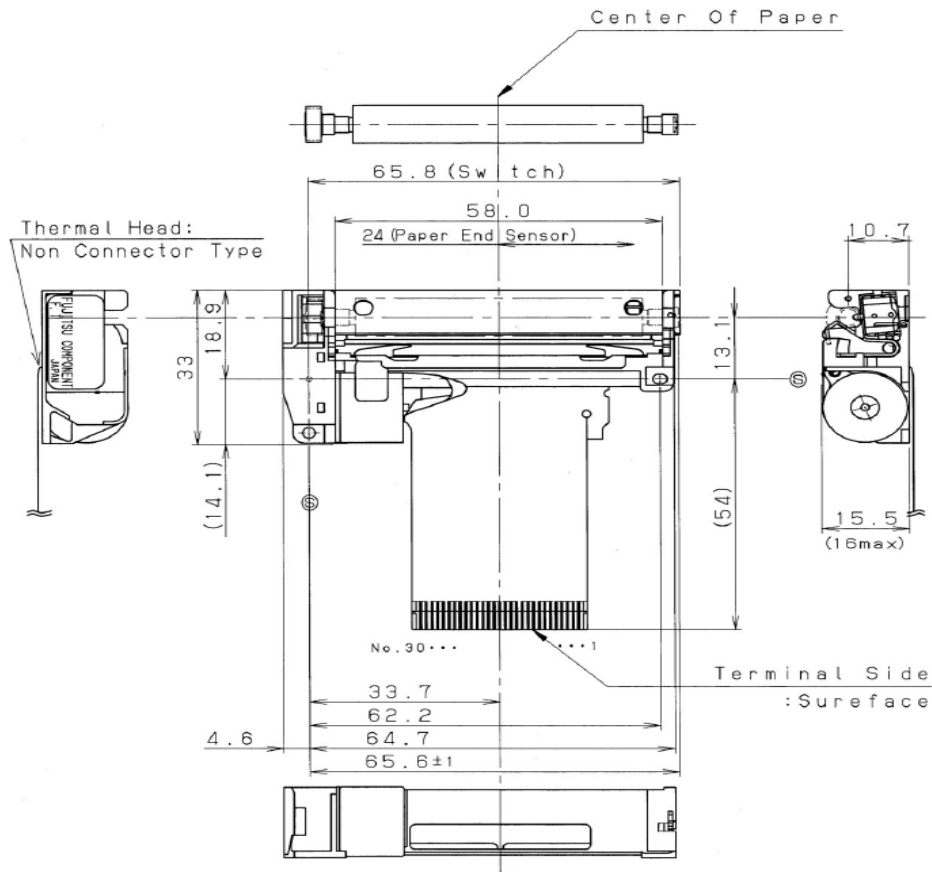
- Windows 2000
- Windows XP
- Windows 7
- Linux Drivers

Dimensions

- Printer Head : 70.2 x 33.0 x 15.5 mm
- Control Board : 70 x 45 x 10.6 mm
- Weight : 42 g (Printer mechanism)

Certificate

- RoHS
- FCC Class B
- ESD Level 2



Product Introduction

The 212 series is a 2 inch thermal printer head, has a printing speed up to 80mm/s, with voltage supply of 12V, and provide paper near-end sensor option. Thermal printers print more quietly and usually faster than impact dot matrix printers. They are also smaller, lighter and consume less power, making them ideal for portable and retail applications. The 212 series thermal printer module can be used for a variety of system or applications, such as portable terminals, POS, ticket issuing terminals, label printers, banking terminals, measurement and medical equipment.