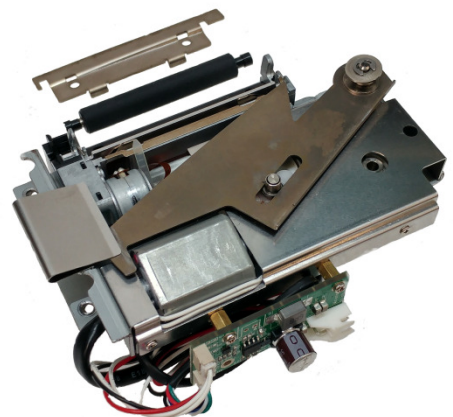
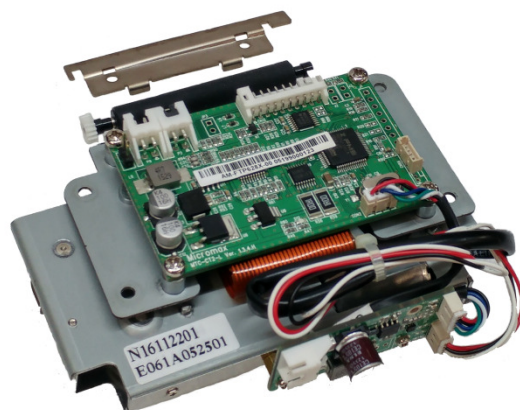


Thermal Printer 212 Series

2M012CX 2-Inches Thermal Printer With Cutter

Product Features

- 2 Inches Thermal Printer With Cutter
- Thermal Printing Method
- Dots/line 384 dots/line
- Printing Width (mm) $48 \pm 0.2\text{mm}$
- Paper Width (mm) $\text{Max.}58\text{mm} \pm 0.1\text{mm}$
- Paper Thickness 60 to 100 μm
- Easy Paper Loading
- Support Paper Near-end Sensor (Option)
- Support Cutter
- Support Wide Operating Voltage Range



Product Specification

Printer

- Print Method :Thermal line dot printing
- Printing Speed :Max. 80mm/second
- Number of dots/line:384 dots
- Print Resolution: 8mm (dots/mm)
- Printing Width:48 ± 0.2mm
- Paper Width: Max.58mm ±0.1mm
- Printing Thickness: 60 to 100 μ m
- Print Color : Black

Power Supply (V)

- Operating Voltage: 12V – 24 V
- Printer Head : 4.2V DC to 8.5V
- Stepping Motor : 4.2V to 8.5 V (DCV)
- Cutter Voltage Norminal : 5V+10%
- Head Logic : 3V to 5.25V (DCV)
- Energy Consumption : 0.15 mJ/dot
(0.63 ms/line, 25°C)
- Power Consumption : 0.24 W/dot

Life (Head)

- Electric Life : 100 million pulses
(Under our standard printing conditions.)
- Wear Life : Printing length, 50km
(Under our standard printing condition)
Printing rate 12.5%.

Life

- Platen Opening Closing Life : More than 5000 times (Each open/close action counts as one time.)
- Photo Interpreter Life : 1.2 ×10⁴ hours (electrified time) with the recommended circuit.
- Cutter Life : 700,000 cuts (Based on 0.06 mm ordinary paper)

Paper Cutter

- Type : Slide Type (Easy Loading)
- Cutting Width (mm) : 60 mm (Max.)
- Cutting Thickness (mm) : 0.06mm ~ 0.1mm
- Duty Cycle : 20~25 cuts/min
- Cutting Type : Full Cuts

Detection

- TPH Temperature : Thermistor
- Platen Position : Photo Interrupter
- Out Of Paper : Photo Interrupter
- Cutter Home Position : Micro Switch

Product Specification

Environment

- Operating Temperature: 0°C ~ 50°C
(No Condensation)
- Operation Humidity : 20~85%RH
(No Condensation)
- Storage Temperature : -20°C ~ 60°C
(Excluding Paper)
- Storage Humidity : 5 to 90%RH
(No Condensation)

Additional Features

- Paper Near End Option Available

Fonts

- ISO 8859
- ISO 8859-2
- Traditional Chinese (Big-5)

Interface

- RS232
- USB

Dimensions

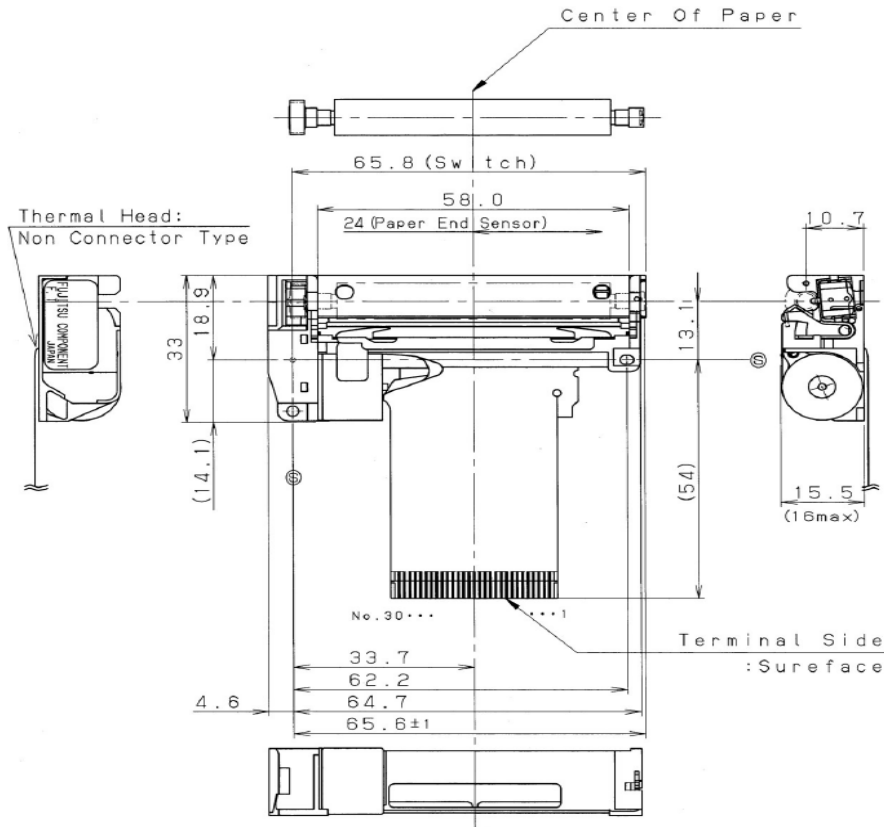
- Printer Head : 70.2 x 33.0 x 15.5 mm
- Control Board : 92.3 x 27 x 13 mm
- Cutter : 109.8 x 68 x 22.7 mm

OS Support

- Windows 2000
- Windows XP
- Windows 7
- Linux Drivers

Certificate

- RoHS
- FCC Class B
- ESD Level 2



Product Introduction

The 212 series is a 2 inch thermal printer head, with cutter for paper cutting. It is a high speed, high reliability, high performance thermal printer module, printing on 58mm width thermal paper. It has printing speed up to 80mm/s, with voltage supply from 12V to 24V and provide paper near-end sensor option. Thermal printers print more quietly and usually faster than impact dot matrix printers. They are also smaller, lighter and consume less power, making them ideal for portable and retail applications. The 212 series thermal printer module can be found in customer terminals, POS printer, ticket issuing terminals, barcode printers, banking terminals, cash register devices and can be embedded easily into system or applications which require print outs.