



DTC International Technology

DTC Technology used Jarltech's panel pc to communicate data with storage

Background and Goal

Jarltech was established in 1987, we are full-service developer and manufacturer for custom electronic products, and has a professional and experienced team that has the necessary skills and resources to support customers' needs. We are specialize in embedded system and hardware design. Our customers are companies needing custom platforms on which to run their embedded software, and companies requiring specific hardware to give their products a competitive edge in their own marketplace.

Challenges

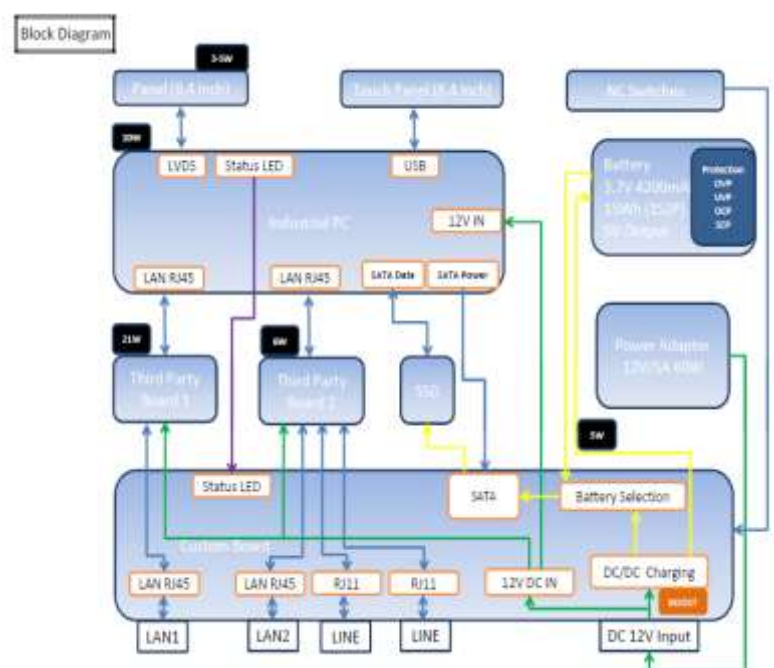
DTC asked us to develop a device -8.4" fan-less & wide temperature panel PC. It can be capable of communicate data with storage and battery, which can support data protect when electronic power shut down.

1. B3 power charge and I/O board design

This board should conduct power and battery charging function, include overcharge and short circuit protection Also, we will modify the position of I/O ports and connectors.

2. Enclosure design

The enclosure will combine the whole electronic component, and should avoid over heat problem. We normally will provide 2 type of ID concept for you choose, both concept will be designed to operate device reach 60°C environment. Beside, we will consider how to design can let you easily assemble B1 & B2 board on your own.



Wired Communication 8.4" Panel PC procedures

DTC International Technology

Solution

We understand the weather in Saudi Arabia is scorching and usually will have sandstorms. To conquer these difficulties, we help our customer to design an ideal model with the following points, high-temperature-resistant and fanless. The designed touch panel is high-temperature-resistant which can stand temperature ranging from 85°C to -20°C. With fanless feature, the product can prevent from shutdown under sandstorm situation. This board should conduct power and battery charging function, including overcharge and short circuit protection. Also, we will modify the position of the output I/O ports and connectors. As for the enclosure, it will combine the whole electronic component, and should avoid over heat problem.



Wired Communication 8.4" Panel PC Located in Saudi Arabia used



Jaritech are specialize in
embedded system

Results

We normally will provide 2 type of ID concept for customer to choose, both concepts will be designed to operate device reach 60°C environment. Besides, we will consider the best way of design which can let our customer easily assemble B1 & B2 board by themselves.

“We are full-service developer and manufacturer for custom electronic products, and has a professional and experienced team that has the necessary skills and resources to support customers' needs...”

- Eva Wang
Marketing Manager